

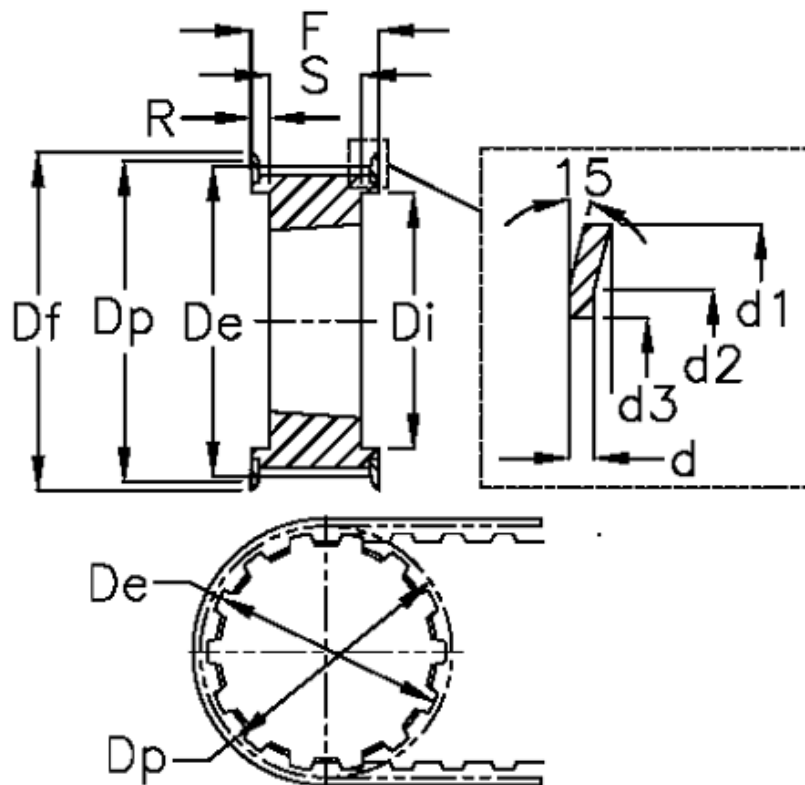
Data Sheet



Article number: 604133038170

Description: Taper bored timing belt pulley
HTD 38 14M 170 TL 3030

Measures



d = 2.5	F = 187	Weight = 11.7
d1 = 184	Flange type = F55	Width = 170
d2 = 168	For bushing = 3030	
d3 = 135	Max bore = 75	
De = 166.6	r = 55.5	
Df = 184	S = 76	
Di = 130	Tooth number = 38	
Dp = 169.34	Type = 14M	